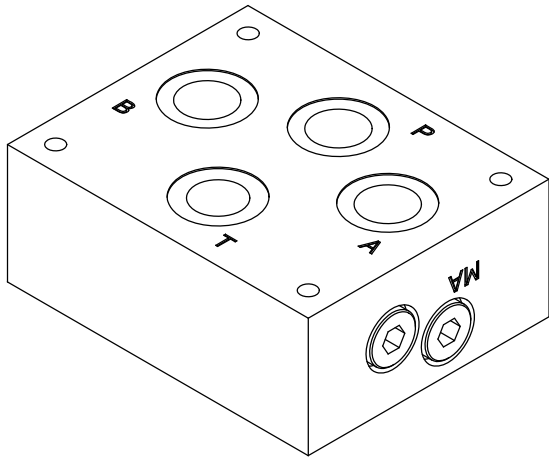
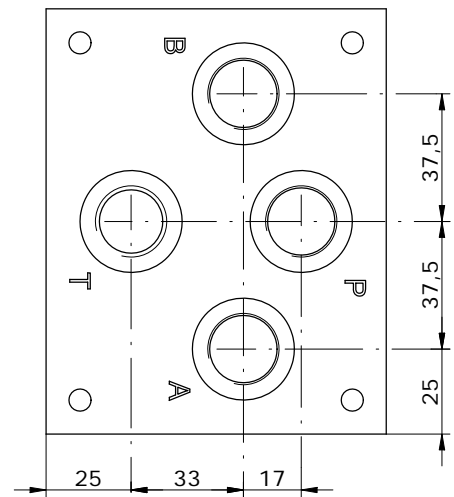
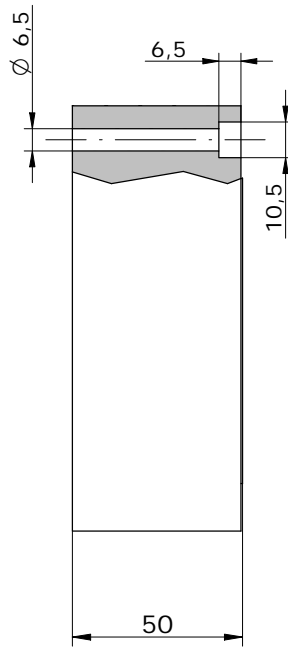
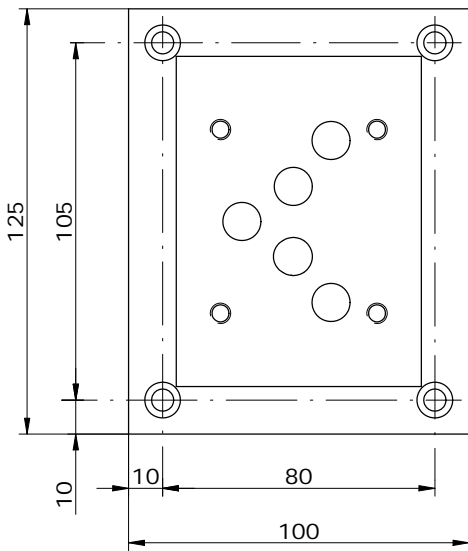
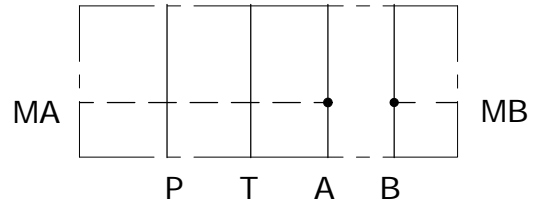


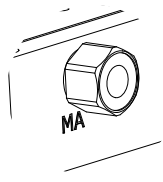
BASE SINGOLA CETOP 5 CON UTILIZZI A-B-P-T POSTERIORI
SUB-PLATE CETOP 5 WITH A-B-P-T PORTS BACK



Schema idraulico
Hydraulic diagram



OPTIONAL
 FITTING FOR GAUGE AND
 PRESSURE SWITCH



FG14

E_ 10 - 01 - _____

S = STEEL
A = ALUMINUM

12 = BSP 1/2G
34 = BSP 3/4G